

HG-TAJ Spring-Assist Torque Hinge

Lift assist · Free stop · Adjustable torque

Features

- Built-in spring makes lids feel lighter to open and close (assist range: 0° - 65°)
- Both blades feature L-shaped brackets, ideal for lids with long widths
- Retaining torque can be adjusted by turning the adjusting screw (nominal 10 spanner) (0 - 3 N·m / pc, 0 - 6 N·m / set)
- Covers provide a cleaner and more streamlined appearance
- Passed 50,000 open/close cycle test



Recommended Screw

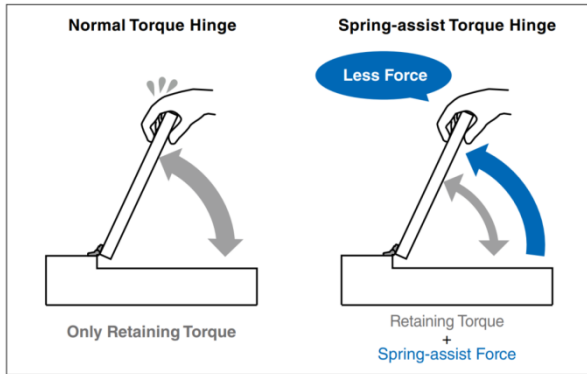
- M5 bind head screws
- M5 pan head screw

Notes

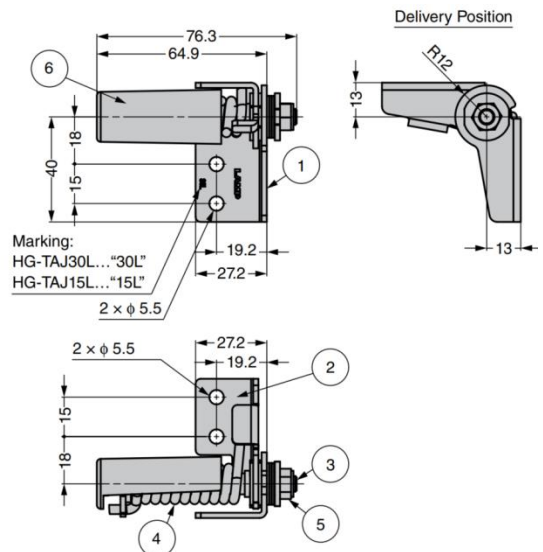
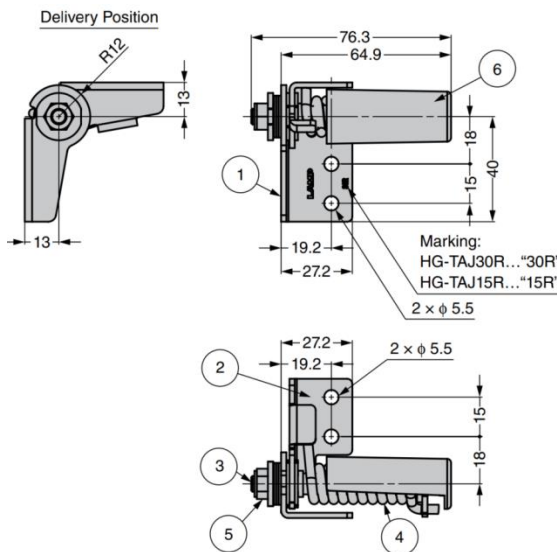
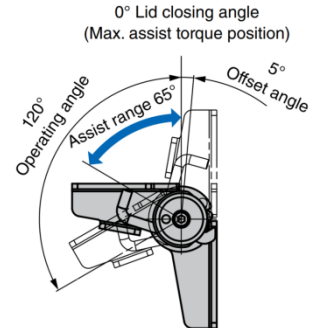
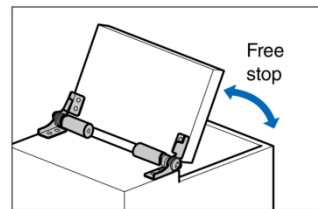
- Operating temperature: -10°C - 50°C
- Use a left-right pair with the same assist torque value
- A stopper should be used in conjunction with the hinge to prevent excessive load on the hinge

| No. | Part Name | Material | Finish/Colour |
|-----|--------------------------|--------------------------|-----------------|
| ① | Base | Stainless Steel (SUS430) | Barrel Polished |
| ② | Bracket | Stainless Steel (SUS304) | |
| ③ | Shaft | Stainless Steel (SUS303) | - |
| ④ | Spring | Stainless Steel | |
| ⑤ | Torque Adjustment Nut M6 | | |
| ⑥ | Cover | PBT Resin | Light Grey |

Smoother than ever before

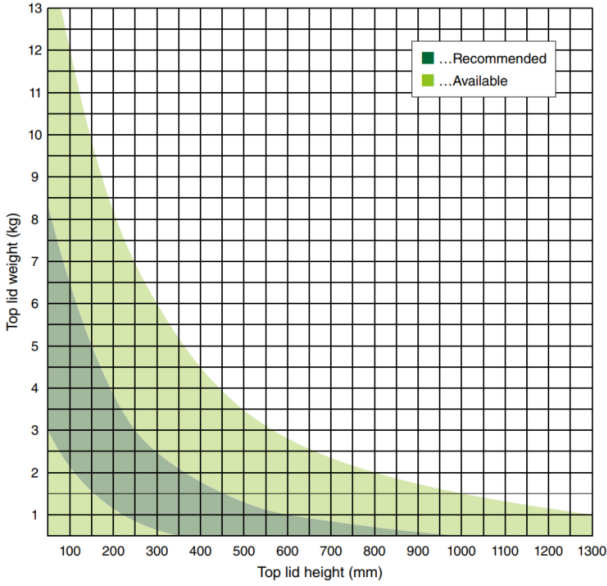


Application Examples

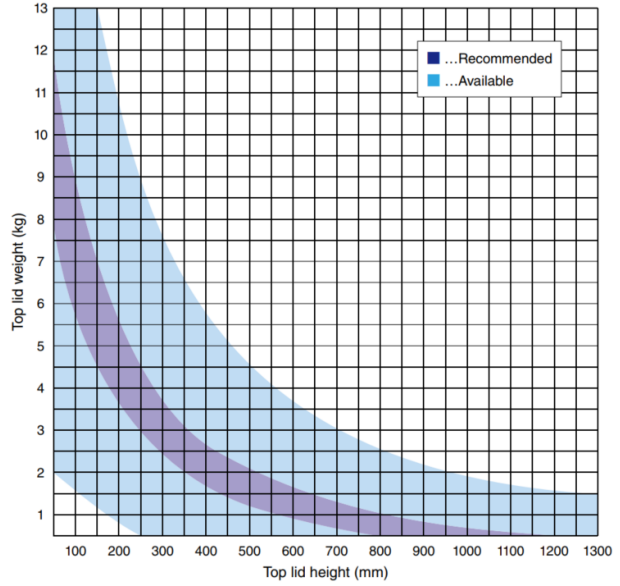


Lid Size Guidelines

HG-TAJ15 For left and right-hand sets

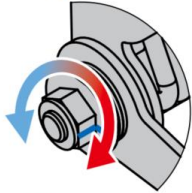


HG-TAJ30 For left and right-hand sets



Retaining Torque Adjustment

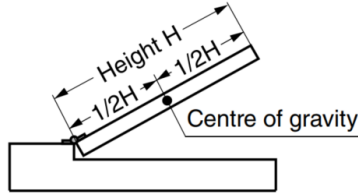
0 N·m/piece (At shipping)



3 N·m/piece Nominal 10
spanner

Make sure the torque adjustment amount is the same on both sides by using the blue line on the nut and plate as a guide.

Hinge mounting position



Calculation condition: The centre of gravity is at the centre of the lid.

Operating Range

Free Stop : 0° to 120°

Recommended Range

-Free Stop : 0° to 120°

-Moves very lightly : 1° to 119°

*Spring-assisted lid moments is close to 0 N·m.

Sold in set of two hinges (left and right). Below torque values are for per set.

| Part No. | Spring Assist Force | | Retaining Torque | |
|-------------|---------------------|--------------------|--------------------|-------------|
| | HG-TAJ-LR15 | 3.0 ~ 4.2 N.m | 30.6 ~ 42.8 kgf.cm | 0 ~ 6.0 N.m |
| HG-TAJ-LR30 | 6.0 ~ 8.0 N.m | 61.2 ~ 81.6 kgf.cm | | |